
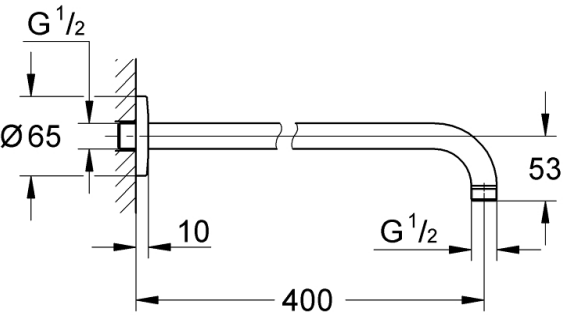

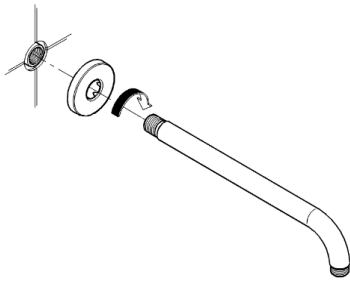




PROJECT		REF		REV	ITEM CODE	
LOCATION		DATE			PAGE	

SANITARY WARE SPECIFICATION SHEET

Item Descriptions	GROHE (Germany) " Tempesta " Chrome plated shower arm 400 mm	Illustration/ Drawing
Dimensions	Refer to drawing	 
Model	27851000	
Material	Chrome Plated	
Manufacturer	GROHE Limited	
Brand Origin	Germany	
Supplier	Acme Sanitary Ware Co. Ltd Mr. Eric Wong/ Mr. Don Yuen	
Contact Tel/Fax	(852) 2388-7171 / (852) 2710-8012	
E-mail	acme@acmesanitary.com.hk	
Website	www.acmesanitary.com.hk	
Product Description	 <ul style="list-style-type: none"> · material: metal · projection: 400 mm · connection thread 1/2" 	

Note:

* All information of the above is for the reference only. No prior notice is made if any changes.